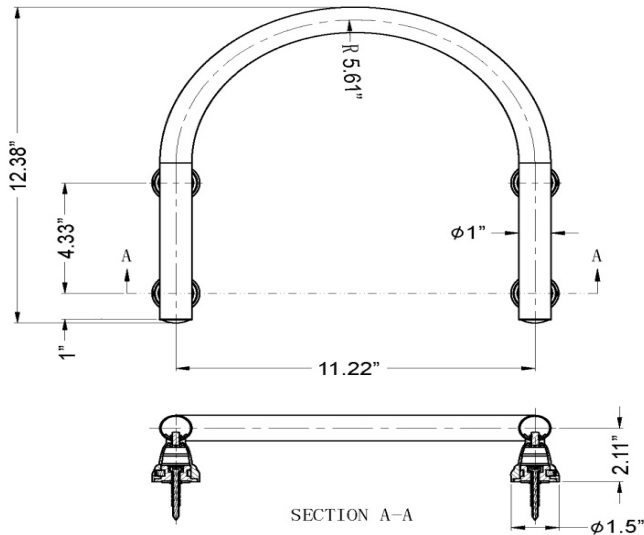


U-SHAPED SAFETY ASSIST BAR



(Faucet not included)



Specifications :

- * Safety Bar ~ Material : #304 Stainless Steel Bar
 - ~ Finish : Polished
 - ~ Bar Diameter : 1"
- * Mounting Brackets ~ Material : Zinc alloy
 - ~ Finish : Chrome / SN - by Electro-plating
- * 1-1/2 In. Wall Clearance
- * #10 x 2" Stainless Steel Mounting Screws x 4pcs (Included)
- * ADA Compliant
- * Weight Capacity : 250 lbs

Arista Safety Products



WT International Inc.

555 NORTHLAND DRIVE N.E., BLDG C, ROCKFORD, MI 49341, USA

