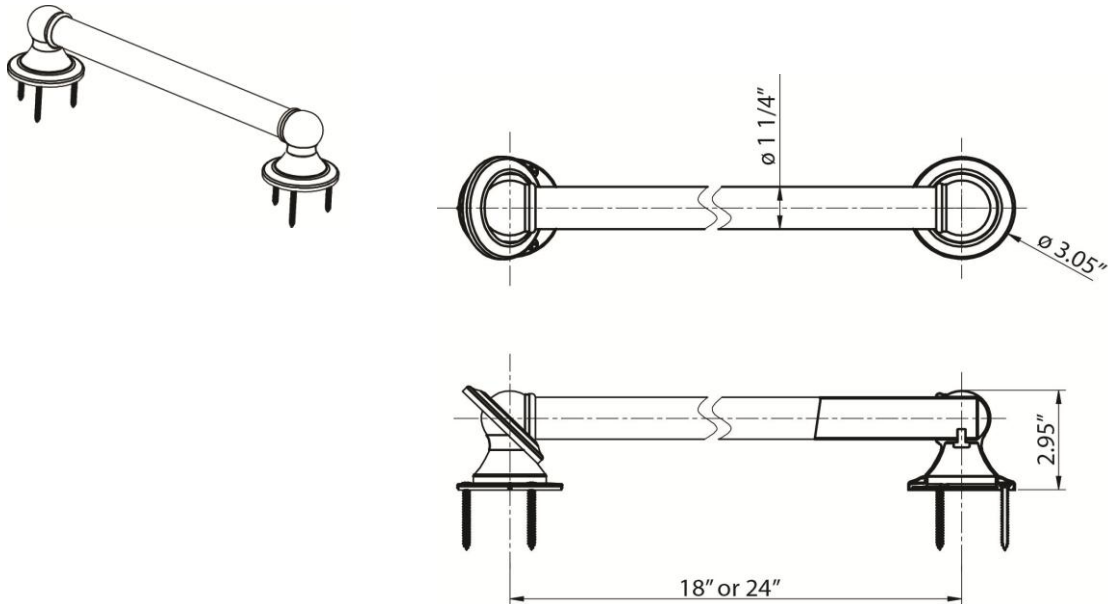


TECHNICAL DATA

#DGB-18/2420 18" OR 24" x 1 1/4" DECORATIVE GRAB BAR



Specifications :

- * Safety Bar ~ Material : #304 Stainless Steel Bar
 - ~ Finish : Polished Bright or Satin
 - ~ Bar Diameter : 1 1/4"
 - ~ Length : 18" or 24"
- * Mounting Brackets ~ Material : Zinc alloy
 - ~ Finish : Electro-plated
- * 1-1/2 In. Wall Clearance
- * #10 x 2" Stainless Steel Mounting Screws x 6 pcs (Included)
- * ADA Compliant
- * Weight Capacity : 500 lbs

Arista Safety Products



WT International Inc.

4100 Cedar Commercial Dr., Cedar Springs, MI. 49319